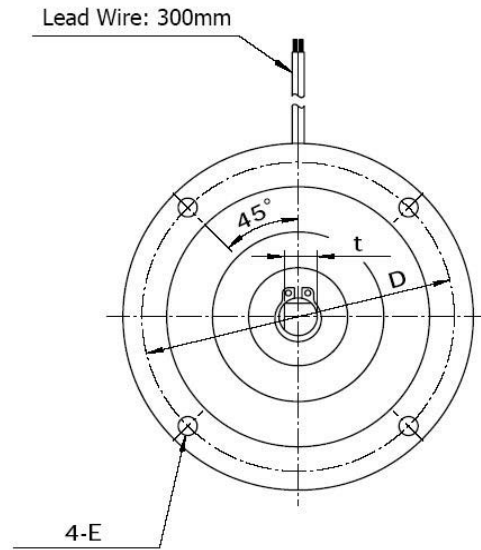
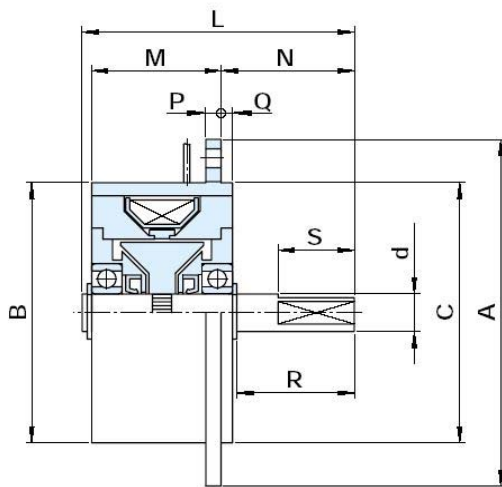


OPB-N

EM Magnetic Particle Brake

Types: 5, 10, 20, 40, 80

[EM: Electromagnet]



OPB		5N	10N	20N	40N	80N
Rated Torque [in-lbs / N-m]		4.4 / 0.5	8.9 / 1	18 / 2	35 / 4	71 / 8
Coil (20°C)	Voltage [DC-V]	24				
	Current [A]	0.27	0.37	0.37	0.37	0.37
	Resistance [Ω]	90	65	65	65	65
	Wattage [W]	6.4	9	9	9	9
	Time Constant [ms]	17	27	23	50	74
Drag Torque (reference) [in-lbs]		0.089	0.18	0.35	0.71	1.4
Max Slip Wattage [W]		25	35	50	60	80
Max Allowable Speed [rpm]		1800	1800	1800	1800	1800
Moment of Inertia (J) [kg-cm ²]		0.025	0.055	0.358	0.94	3.53
Shaft [mm]	dg7	6	7	10	12	15
	t	5.5	6.5	9	10	13
Dimensions [mm]	A	65	75	92	112	128
	B	46	56	69	86	100
	Ch9	43	54	69	86	98
	D	56	66	82	100	114
	E	4.5	4.5	4.5	5.5	6.5
	L	56	61	71.5	79	95
	M	27.5	33	34	36	42
	N	25.5	25.8	35	40	50
	P	3	4	4	5	6
	Q	2.5	3	3	5	6
R	22.3	22	31	34	43	
S	12	12	20	20	20	
Weight [lbs / kg]		0.88 / 0.40	1.5 / 0.7	2.2 / 1.0	4.0 / 1.8	6.6 / 3.0

[1" = 25.4mm]