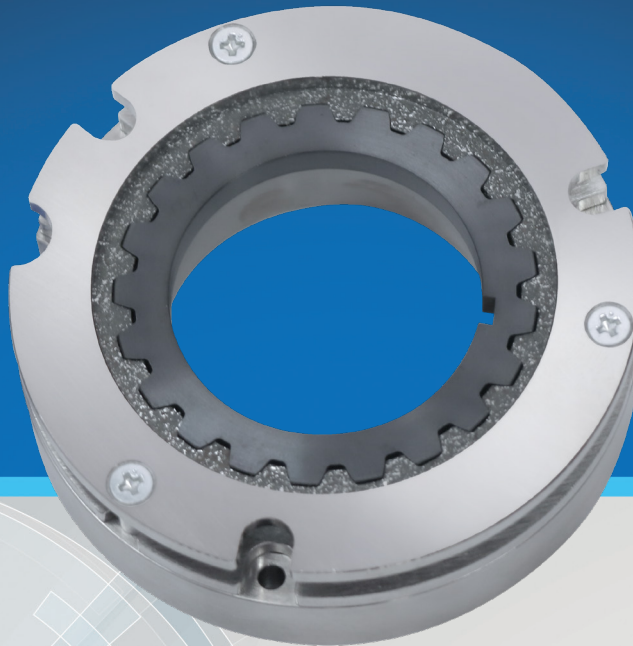




Power-Off, Spring Applied
Large Bore – Data Wire Brakes
For Robotics and Medical Equipment



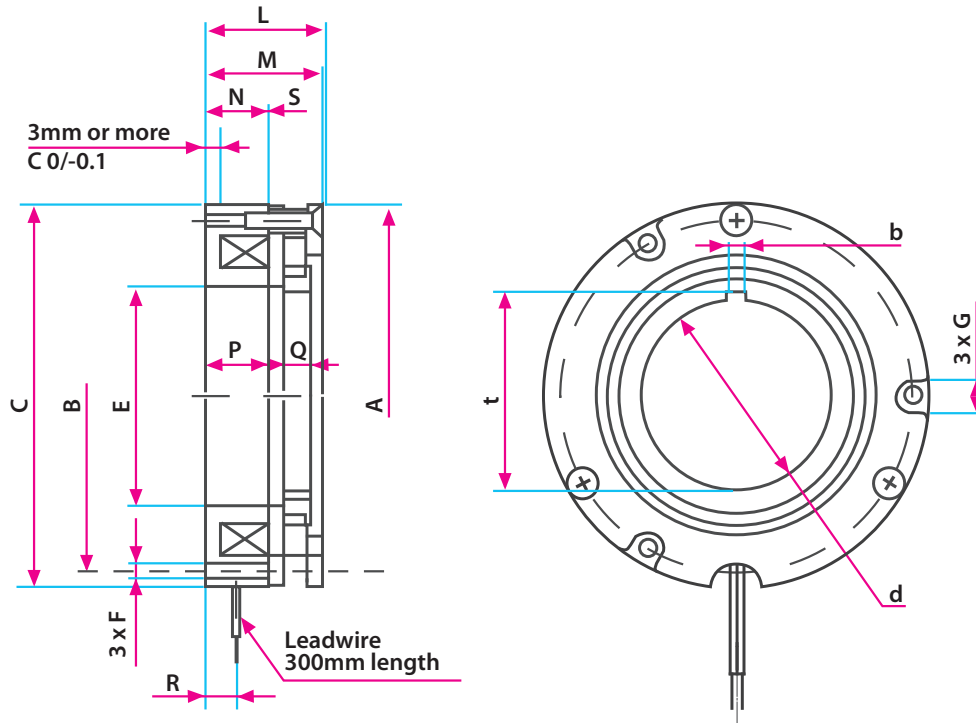
- Ⓜ Industry leading ID to OD ratio
- Ⓜ Ideal for hollow shaft servo motors and actuators
- Ⓜ Compact for tight space constraints
- Ⓜ Low backlash for precise and accurate positioning
- Ⓜ High torque due to optimized design



"What You Need in a Clutch®"

MCNB-HS Series

Large Bore, Low Backlash, EM Spring-Applied Brake



MCNB-HS		20	30	40
Static Torque Rating [N · m]		2.0	3.0	4.0
Moment of Inertia $J \times 10^{-4} [\text{kg} \cdot \text{m}^2]$		0.14	0.46	0.78
Bore [mm]	dH7	33	42	48
Keyway [mm]	b JS9 × t	3x34.4 +0.2/0	4x43.8 +0.2/0	4x50.3 +0.2/0
	A	68	84	97
	B ±0.2	61	77	89
	C 0/-0.1	68	84	97
	E	38	48	54
	F	3.5	3.5	3.5
	G	7	7	7
		L	23.5	25.5
M		23	25	27
N		13.6	13.4	15
P		17.1	17.4	19.5
Q		4.5	5.2	5.2
R		6	6.5	7
S Initial Air Gap		0.08~0.15	0.10~0.20	0.10~0.25
Mass [kg]		0.32	0.51	0.78



"What You Need in a Clutch"

100 Randolph Road • Somerset, NJ 08875-5790 • Tel: (732) 271-7361

www.ogura-clutch.com