

# MCNB-T

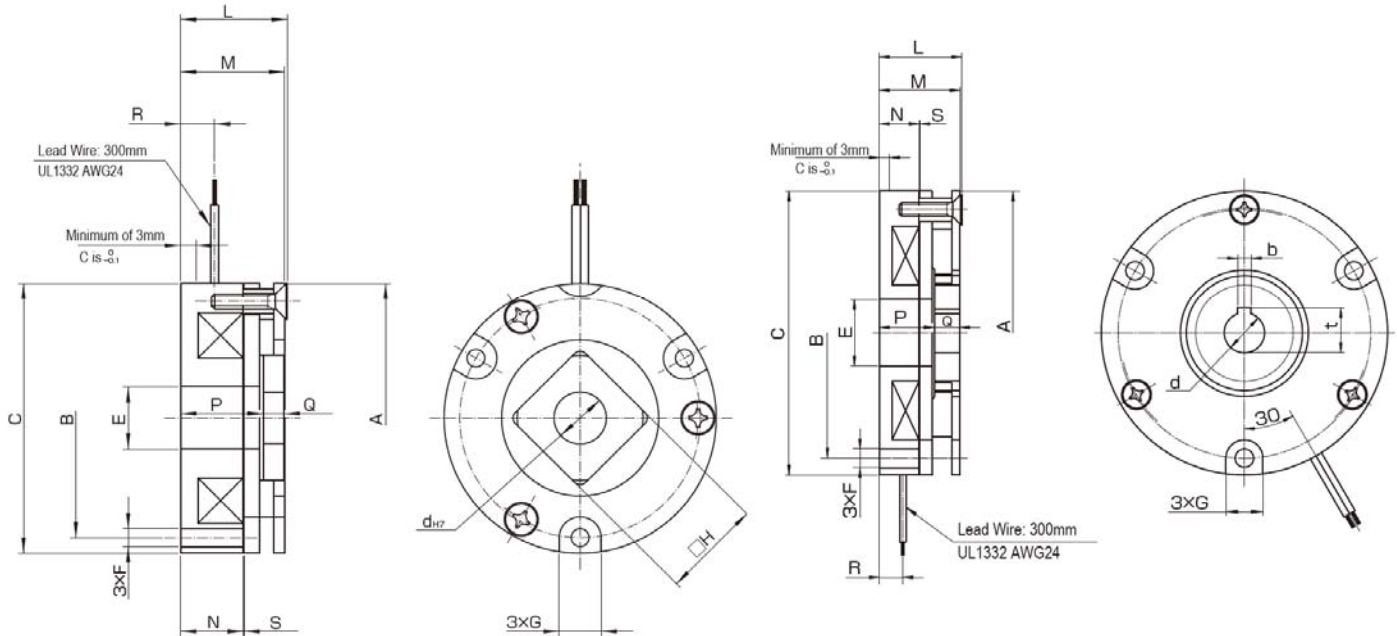
## Thin Micro EM Spring-Applied Brake

Types: 3, 10, 30, 40

[ EM: Electromagnet ]

〈MCNB 3T、10T、30T〉

〈MCNB 40T〉



MCNB-T		3	10	30	40				
Static Torque [ft-lbs / N-m]		0.24 / 0.32		1 / 1.37		2.2 / 3		3 / 4	
Coil (20°C)	Voltage [DC-V]	12	24*	12	24*	12	24*	12	24*
	Current [A]	0.27	0.54*	0.33	0.67*	0.38	0.75*	0.41	0.81*
	Resistance [Ω]	44.2		36		32		29.6	
	Wattage [W]	3.3	13*	4	16*	4.5	18*	4.9	19.5*
Armature	Pull-In Time [ms]	15		25		30		50	
	Release Time [ms]	30		50		60		70	
Max Allowable Speed [rpm]		6000		6000		6000		6000	
Moment of Inertia (J) [kg-cm <sup>2</sup> ]		0.002		0.018		0.075		0.28	
Bore [mm]	dh7	8		10		12		12	
Key Way [mm]	bE9	-		-		-		4	
	t+0.15/-0	-		-		-		13.5	
Dimensions [mm]	A	35		52		68		85	
	B±0.2	29		46		60		75	
	C+0/-0.1	35		52		68		85	
	E	9		12		18		20	
	F	3.4		3.4		4.5		5.5	
	G	7		8		8		11	
	H	12		19		25		-	
	L	20.5		20.5		20.5		24.5	
	M	20		20		20		24	
	N	13		12		10.7		11.8	
	P±0.2	16.5		15.8		14.5		16.3	
	Q	3.5		4		4		7.5	
	R	6		6.5		7		7	
S	0.06~0.13		0.07~0.15		0.08~0.15		0.1~0.25		
Weight [lbs / kg]		0.22 / 0.1		0.55 / 0.25		0.99 / 0.45		1.43 / 0.65	

[ Note 1 : For holding and emergency-stop applications only ]

[ 1 inch = 25.4 mm ]

\*Reference values for overexcitation only