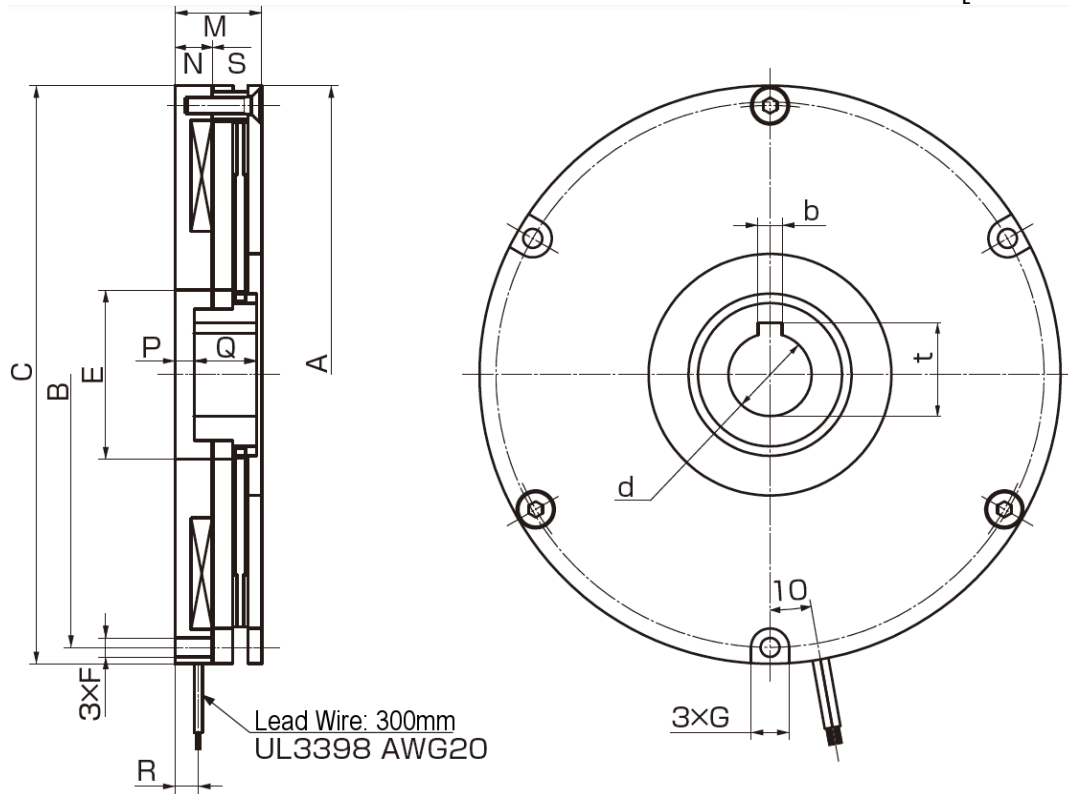


RNB-T

Thin EM Spring-Applied Brake

Types: 1.6, 2.2, 3.8, 5

[EM: Electromagnet]



RNB-T		1.6G	1.6K	2.2G	2.2K	3.8G	3.8K	5G	5K
Static Torque [ft-lbs / N-m]		11.8 / 16		16.2 / 22		28 / 38		36.9 / 50	
Coil (20°C)	Voltage [DC-V]	24	90	24	90	24	90	24	90
	Current [A]	0.90	0.24	0.90	0.24	1.29	0.34	1.29	0.34
	Resistance [Ω]	26.8	376.7	26.8	376.7	18.6	261.3	18.6	261.3
	Wattage [W]	21.5		21.5		31		31	
Armature	Pull-In Time [ms]	70		120		90		120	
	Release Time [ms]	25		25		25		45	
Max Allowable Speed [rpm]		4000		4000		3000		3000	
Moment of Inertia (J) [kg-cm ²]		1.35		2.02		6.43		8.83	
Bore [mm]	dH7	19		19		24		24	
Key Way [mm]	bE9	5		5		7		7	
	t+0.2/-0	21		21		27		27	
Dimensions [mm]	A	123.5		123.5		167.5		167.5	
	B	115		115		158		158	
	Ch9	123.5		123.5		167.5		167.5	
	D	4		4		3		5	
	E	40		40		49		49	
	F	4.5		4.5		5.5		5.5	
	G	9.5		9.5		11		11	
	M	24.3		33.3		25		31	
	N	13.2		18.7		10.7		14	
	P	9		11.5		5.5		6	
	Q	13		18		18		23	
	R	8.4		9.7		6.7		10	
S	0.1~0.25		0.1~0.25		0.1~0.25		0.1~0.25		
Weight [lbs / kg]		3.5 / 1.6		5.5 / 2.5		7.1 / 3.2		8.8 / 4	

[Note 1 : For holding and emergency-stop applications only]

[1 inch = 25.4 mm]