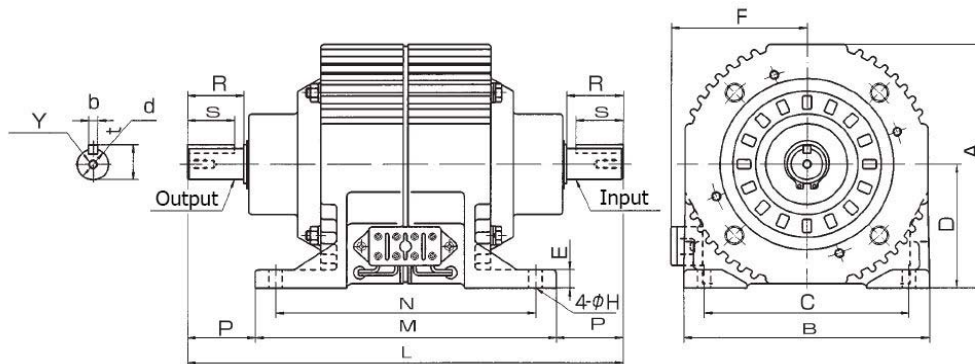


VSAU

Self-Adjusting EM Clutch/Brake Unit

Types: 1.2, 2.5, 5

[EM: Electromagnet]



VSAU		1.2	2.5	5
Static Torque [ft-lbs / N-m]		8.9 / 12	18 / 25	37 / 50
Voltage [DC-V]		24		
Max Overhanging Load ¹ [lbs / N]		146 / 650	146 / 650	193 / 860
Moment of Inertia (J) [kg-cm ²]	Input	2.8	8.7	25
	Output	7.8	21.3	64
Bore [mm]		dh7	20	25
Key Way [mm]	bh9	5	6	8
	t _{+0/-0.2}	17	22.5	28
Dimensions [mm]	A	126	157	197
	B	136	156	190
	C	110	130	160
	D	63	80	102
	E	10	12	15
	F	78	86	102
	H	8.5	8.5	11
	L	244	277	320
	M	176	191	220
	N	150	165	190
	P	34	43	50
	R	27	36	45
S	25	30	40	
Y	M5x10	M6x12	M8x16	
Weight [lbs / kg]		11 / 5	18 / 8	32 / 15

[Included parts & accessories : surge protector]

[1 inch = 25.4 mm]

[Note 1 : At shaft midpoint; based on 1000rpm/10000hr application]