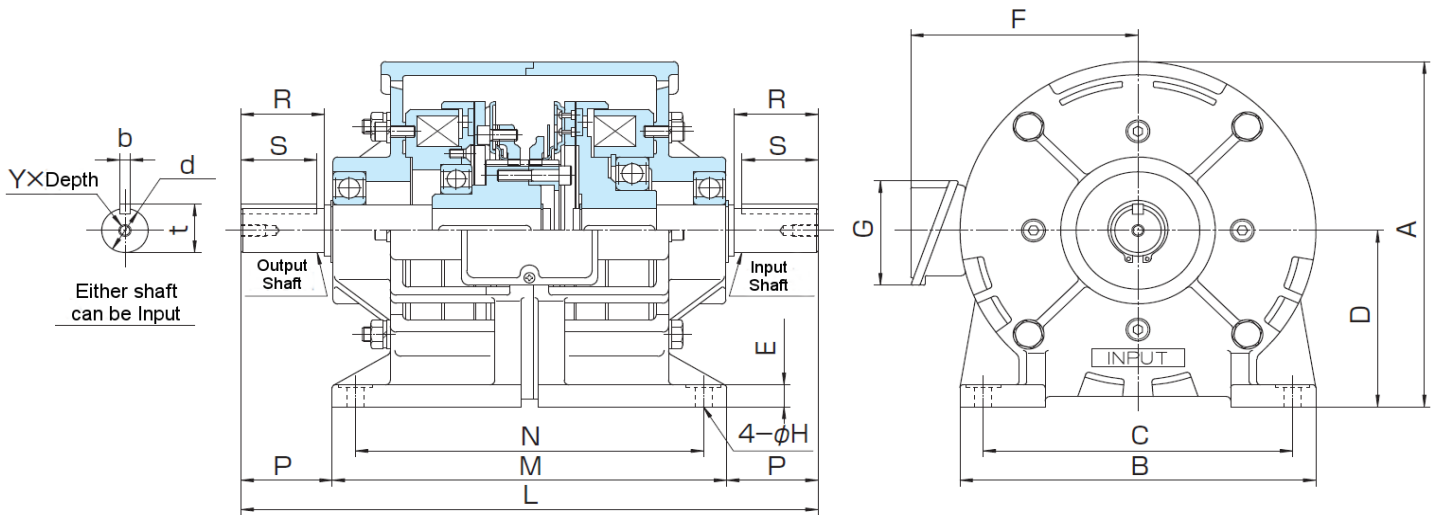


MSU

Single Disc EM Clutch/Brake [In-Line Shaft]

Types: 20, 40, 70, 100

[EM: Electromagnet]



MSU		20	40	70*	100*
Static Torque [ft-lbs / N-m]		148 / 200	295 / 400	516 / 700	738 / 1000
Coil (20°C)	Voltage [DC-V]	24			
	Current [A]	2.09	2.7	3.75	4.14
	Resistance [Ω]	11.5	8.9	6.4	5.8
	Wattage [W]	50	65	90	100
Max Allowable Speed [rpm]		2600	2400	2000	1800
Inertia $J \times 10^{-4} (\text{kg} \cdot \text{m}^2)$	Input	240	580	1100	3000
	Output	480	1080	2450	5300
Bore d_{h7}		40	50	60	70
Keyway $b_{h8} \times t_{0.20}^0$		10x43.5	15x55	15x65	18x76
Radial Dimensions [mm]	A	295	350	395	452
	B	280	340	400	460
	C	240	290	340	390
	D	150	180	200	227
	E	18	25	30	30
	F	180	205	231	261
	G	71	71	71	71
	H	13	17	21	21
Axial Dimensions [mm]	L	454	540	640	710
	M	300	350	408	468
	N	260	300	320	400
	P	77	95	116	121
	R	72	90	105	110
	S	67	80	90	90
Y x Depth		M10x20	M10x20	M12x25	M12x25
Weight [lbs / kg]		97 / 44	158 / 71.5	320 / 145	419 / 190

[1" = 25.4mm]

*MSU-70 & MSU-100 are Special Order items