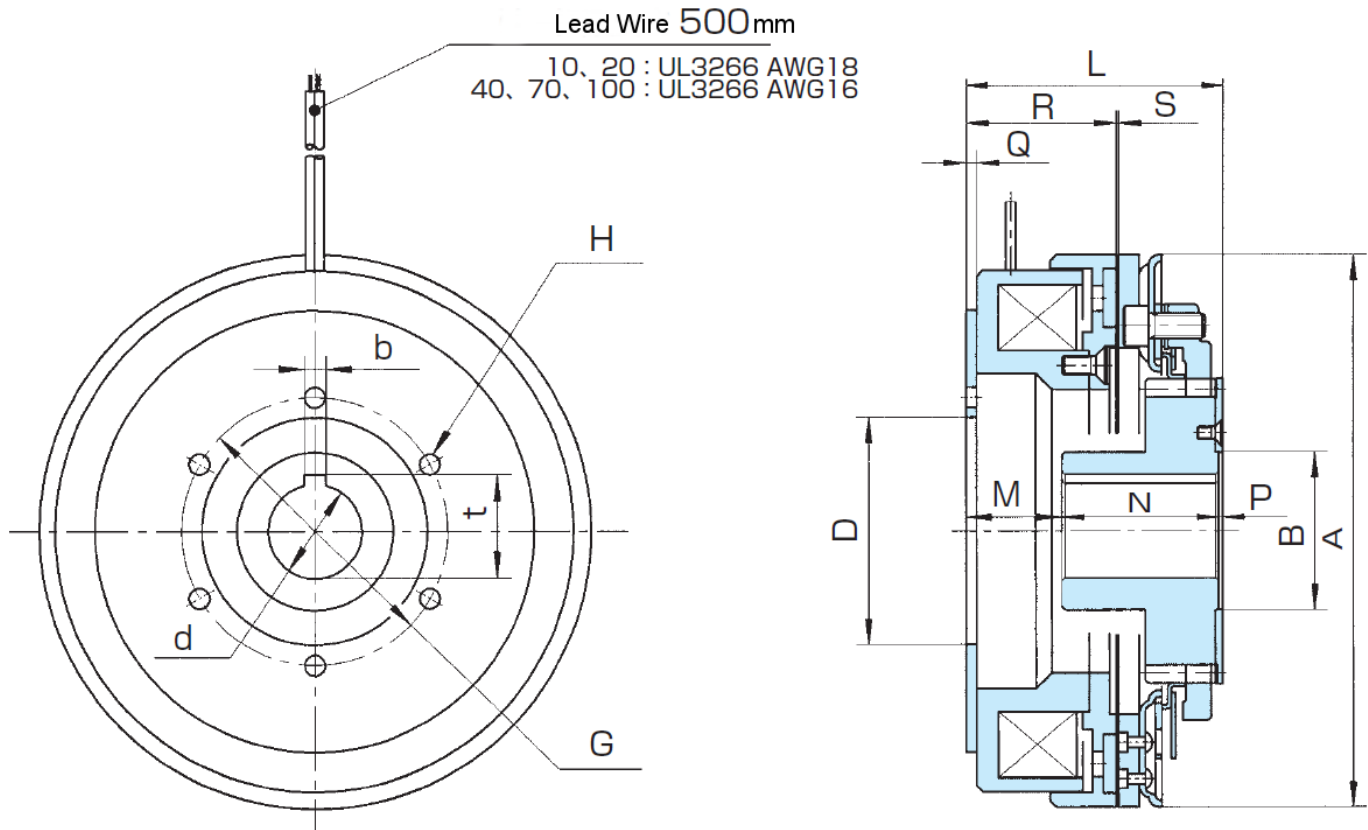


MSB

Single Disc EM Brake

Types: 10, 20, 40, 70, 100

[EM: Electromagnet]



MSB		10	20	40	70	100
Static Torque [ft-lbs / N-m]		73.76 / 100	148 / 200	295 / 400	516 / 700	738 / 1000
Coil (20°C)	Voltage [DC-V]	24				
	Current [A]	1.46	2.09	2.70	3.75	4.14
	Resistance [Ω]	16.4	11.5	8.9	6.4	5.8
	Wattage [W]	35	50	65	90	100
Moment of Inertia (J) × 10 ⁻⁴ [kg-cm ²]		86	250	580	1260	2730
Bore	d _{H7}	30	40	50	60	70
Keyway	b _{F9} × t ₀ ^{+0.15}	7 × 33	10 × 43.5	15 × 55	15 × 65	18 × 76
Radial Dimensions [mm]	A	175	220	260	315	380
	B	50	72	-	128	-
	D _{H8}	72	80	110	145	190
	G	85	98	132	170	218
	H	6-6.5	6-8.5	6-10.5	6-12.5	8-12.5
Axial Dimensions [mm]	L	81.1	90.8	100	114.5	117
	M	30	20	24	24	17
	N	50	70	76	90	100
	P	1.1	0.8	0	0.5	0
	Q	3.3	2.9	3.7	3.7	3.7
	R	48	52	56	61	59
	S	0.4	0.5	0.7	0.7	0.8
Weight [lbs / kg]		17.6 / 8	30.9 / 14	46.3 / 21	75 / 34	112 / 51

[1" = 25.4mm]