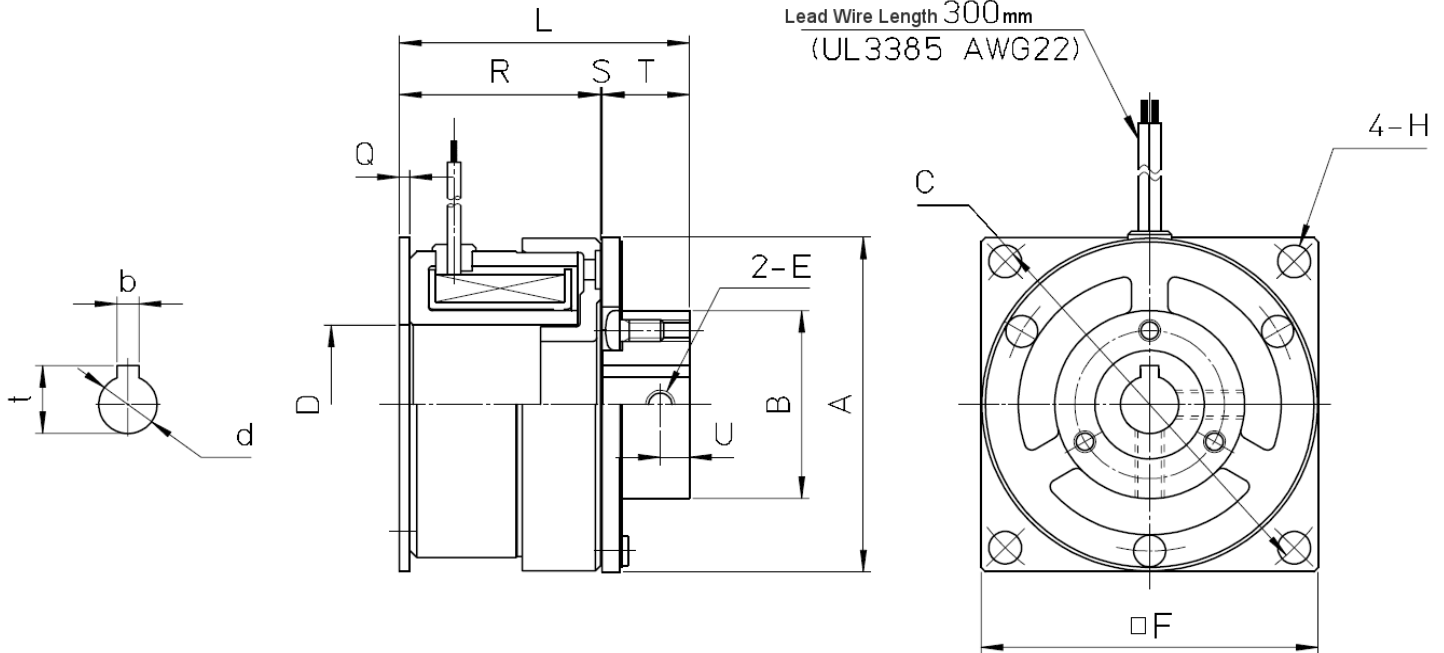


AMB-E

Electromagnetic Brake

Types: 2.5, 5, 10, 20



AMB-E		2.5	5	10	20
Static Torque [in-lbs / N-m]		2.2 / 0.25	4.4 / 0.5	8.9 / 1	18 / 2
Coil (20°C)	Voltage [DC-V]	24			
	Current [A]	0.12	0.16	0.24	0.24
	Resistance [Ω]	203.5	152	100	98.7
	Wattage [W]	2.8	3.8	5.7	5.8
Max Allowable Speed [rpm]		3600	3600	3600	3600
Inertia $J \times 10^{-4} (\text{kg} \cdot \text{m}^2)$		0.035	0.055	0.103	0.193
Bore d_{H8}		6	6	8	10
Keyway $b_{JS9} \times t_0^{+0.1}$		2×7	2×7	3×9.4	4×11.8
Radial Dimensions [mm]	A	35	40	46	51
	B	22	22	26	31
	C	42	48	56	63
	D_{H7}	15	15	22	26
	E	M3	M3	M4	M4
	F	35	40.2	46.2	53
	H	3.3	3.3	4.5	4.5
Axial Dimensions [mm]	L	31	31	39.8	44.3
	Q	1.4	1.4	1.4	1.4
	R	21.8	21.8	27.55	30.05
	S	0.15~0.25	0.15~0.25	0.2~0.3	0.2~0.3
	T	9	9	12	14
	U	3	3	4	5
Weight [lbs / kg]		0.23 / 0.105	0.31 / 0.14	0.5 / 0.225	0.64 / 0.29

[1" = 25.4mm]