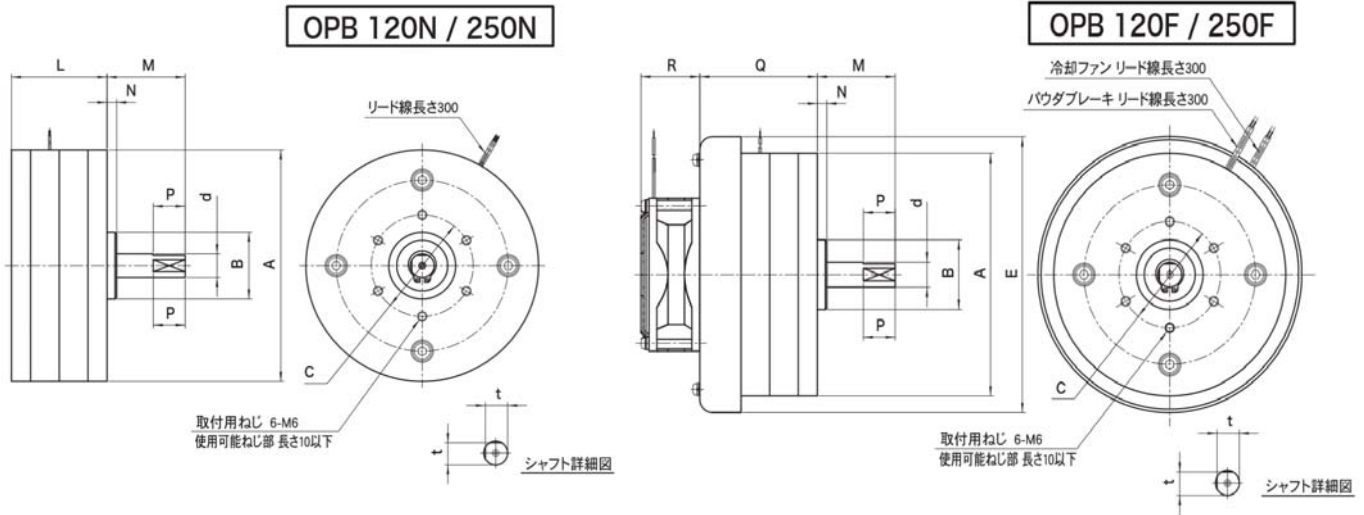


OPB-N

EM Magnetic Particle Brake

Types: 120N, 250N, 120F, 250F

[EM: Electromagnet]



OPB		120N	250N	120F	250F
Rated Torque [in-lbs / N·m]		106 / 12	221 / 25	106 / 12	221 / 25
Coil (20°C)	Voltage [DC-V]	24			
	Current [A]	0.3	0.3	0.3	0.3
	Resistance [Ω]	80	80	80	80
	Wattage [W]	9	9	9	9
	Time Constant [ms]	124	211	124	211
Drag Torque (reference) [in-lbs]		2.1	4.4	2.1	4.4
Max Slip Wattage [W]		100	130	250	380
Max Allowable Speed [rpm]		1800	1800	1800	1800
Shaft [mm]	dg9	15	20	15	20
	t	14	18.5	14	18.5
Dimensions [mm]	A	146	186	146	186
	Bh9	42	55	42	55
	C	64	78	64	78
	D	56	66	82	100
	E	-	-	166	206
	L	60	70	-	-
	M	49	64	49	64
	N	6	6	6	6
	P	20	25	20	25
	Q	-	-	74	84
R	-	-	38.5 Max	44.5 Max	
Weight [lbs / kg]		10.6 / 4.8	19.8 / 9.0	11.9 / 5.4	21.8 / 9.9

[1" = 25.4mm]