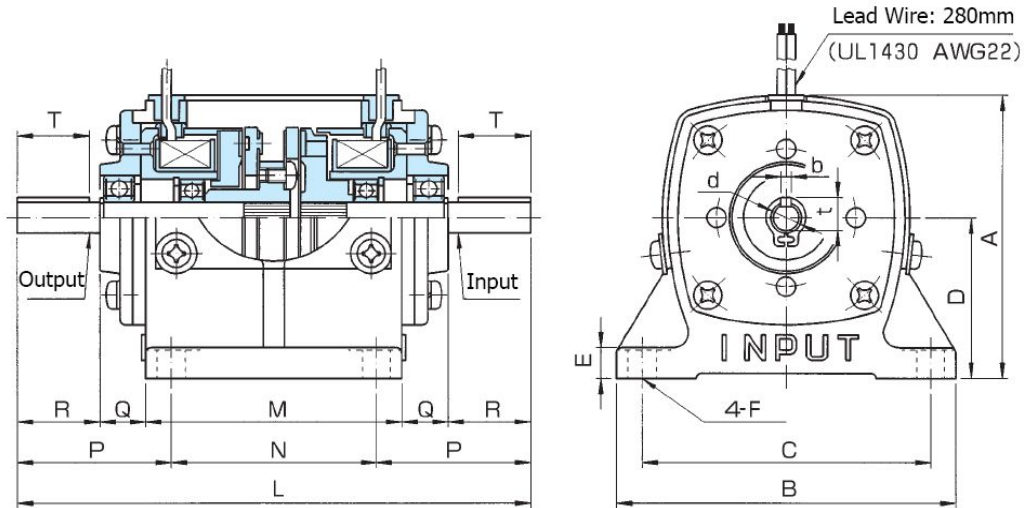


AMU-C

Micro EM Clutch/Brake Unit

Types: 2.5, 5, 10, 20, 40, 80

[EM: Electromagnet]



AMU		2.5C	5C	10C	20C	40C	80C
Static Torque [in-lbs]		2.2	4.4	8.9	18	35	71
Voltage [DC-V]		24					
Max Overhanging Load ¹ [lbs]		27	27	43	65	79	92
Moment of Inertia (J) [kg-cm ²]	Rotor	0.05	0.068	0.148	0.29	0.718	1.3
	Armature	0.063	0.113	0.208	0.39	1.04	2.19
Shaft [mm]	dh7	6	6	8	10	12	15
Key [mm]	bh8	2	2	2.5	4	4	5
	t+0/-0.15	6.9	6.9	8.9	11.5	13.5	17
Dimensions [mm]	A	54.5	61.5	69	77	93	105
	B	66	72	84	90	106	120
	C	56	62	70	78	90	100
	D	31.5	35.5	40	45	56	63
	E	6	7	9	10	11	12
	F	5.5	5.5	6.5	6.5	8.5	8.5
	L	100	100	124	139	166	174
	M	50	50	62	69	80	86
	N	40	40	45	50	60	70
	P	30	30	39.5	44.5	53	52
	Q	9	9	11	12	13	14
R	16	16	20	23	30	30	
T	14	14	18	20	20	25	
Weight [lbs]		0.88	1.2	2	3.3	4.6	6.3

[Note 1 : At shaft midpoint; based on 600rpm/6000hr application]

[1" = 25.4mm]