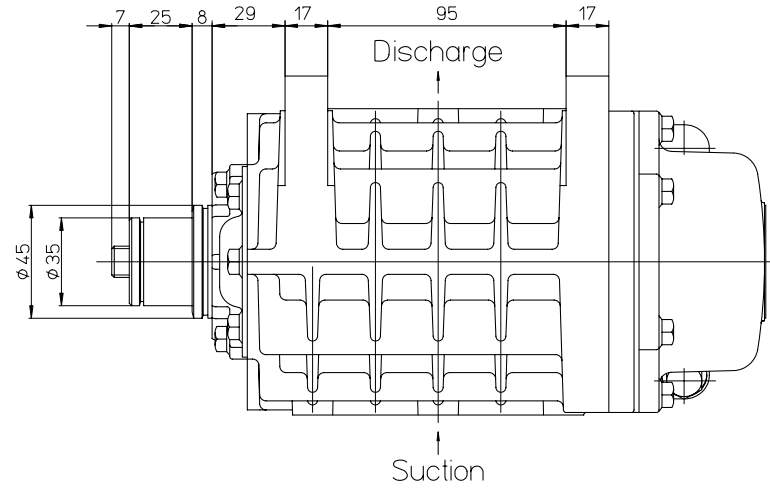
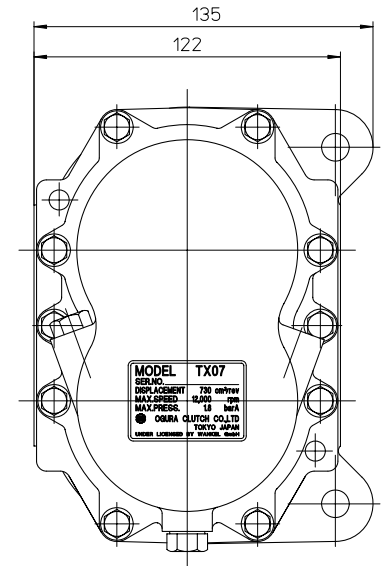
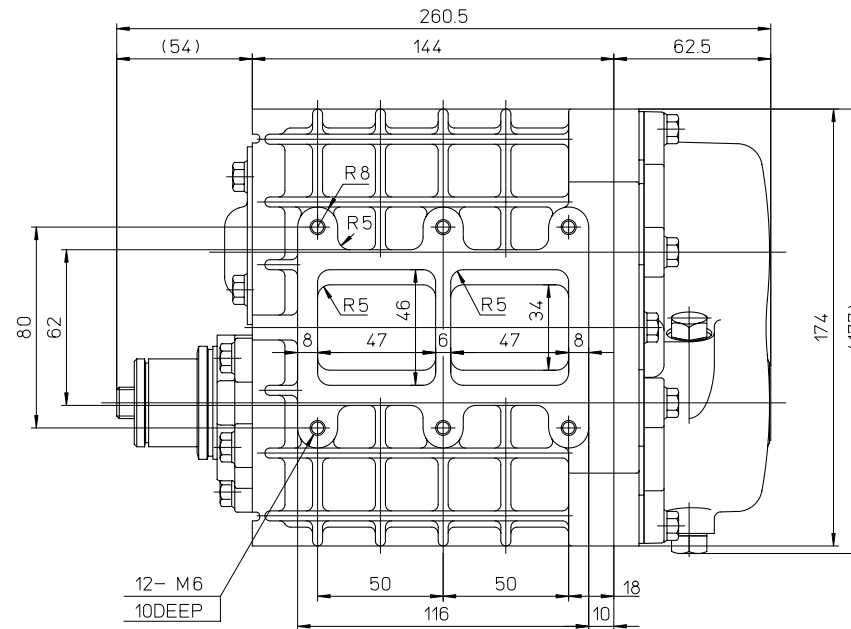
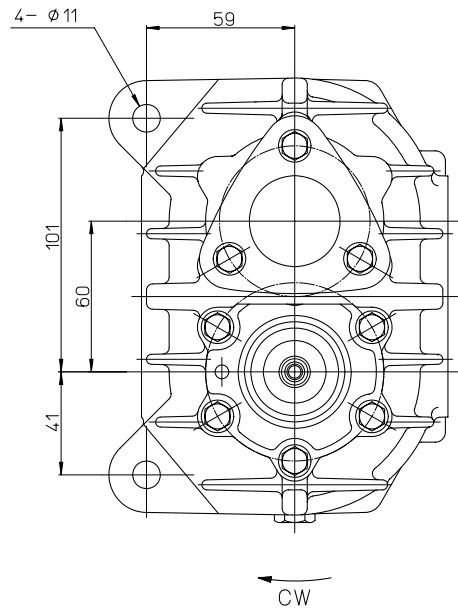


CONFIDENTIAL
 THE DRAWINGS AND TECHNICAL INFORMATION
 INCLUDED HEREIN ARE THE PROPERTY OF
 OGURA INDUSTRIAL CORP AND CAN NOT
 BE DUPLICATED WITHOUT WRITTEN APPROVAL
 FROM OIC.

REV	REVISION RECORD	NOTE
1	0-ring and gasket were changed to liquid gasket	Next manufacturing



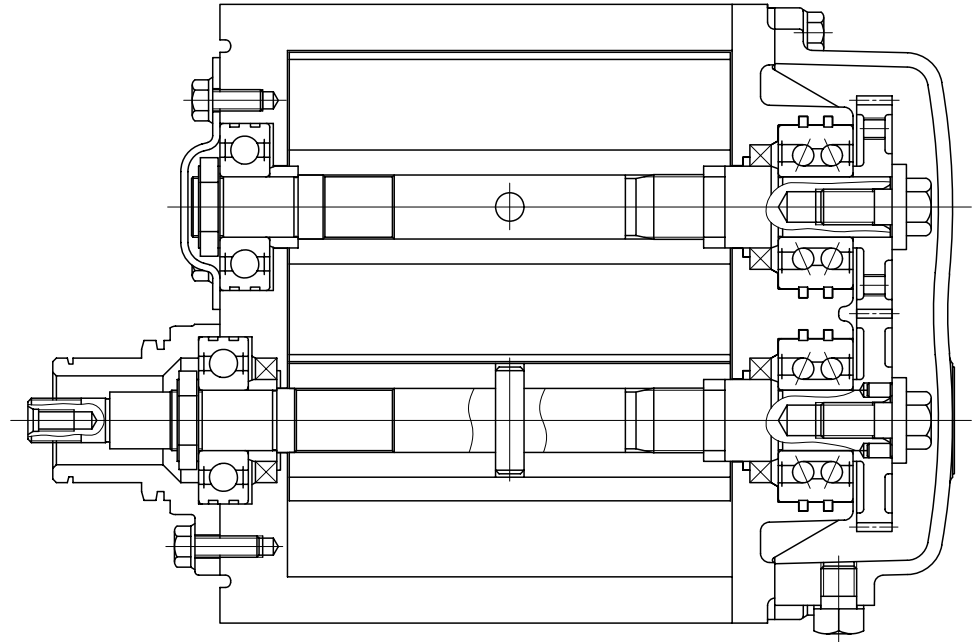
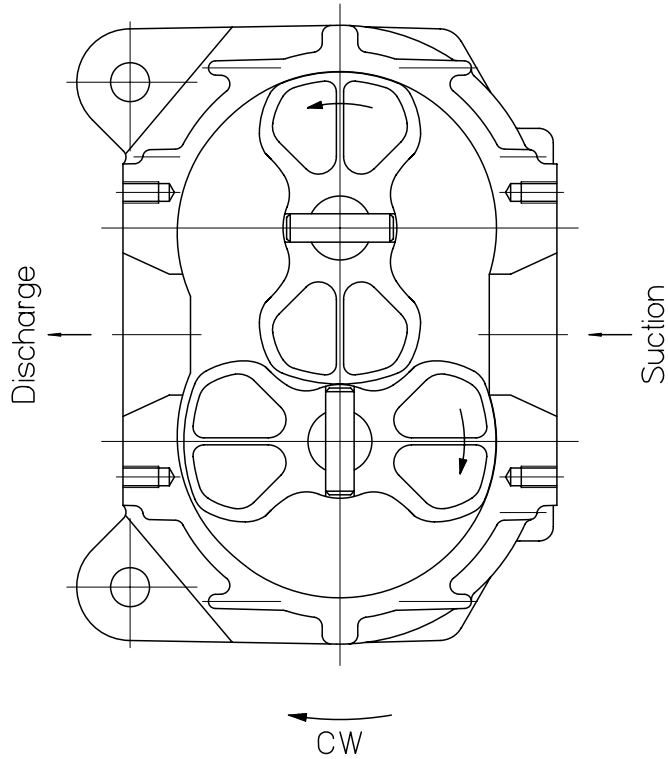
Specifications
 Displacement 730 cm³/rev
 Max. R.P.M. 12,000 rpm
 Max. Press. Ratio 1.8
 Weight 6.6 kg
 Oil Amount 45 cc



HISTORY	REV	DATE	SCALE	CUSTOMER
Redrawn	S.FUSEJMA	DATE	A1	MODEL TX07
	R.NOGAMI	DATE	1/1	ASSY NO
ISSUE NO	PLANT	PARTS CODE	NAME	DIMENSION
		6113010702	S/C Assy	mm
ISSUE DATE	OGURA CLUTCH Co.,LTD		DWG NO	SHEET
			611000002	1/2

CONFIDENTIAL
 THE DRAWINGS AND TECHNICAL INFORMATION
 INCLUDED HEREIN ARE THE PROPERTY OF
 OGURA INDUSTRIAL CORP AND CAN NOT
 BE DUPLICATED WITHOUT WRITTEN APPROVAL
 FROM OIC.

REV	REVISION RECORD	NOTE
△	0-ring and gasket were changed to liquid gasket.	Next manufacturing



HISTORY	APPO <i>S. Fusejima</i>	DATE 1994/10/05	SIZE A2	CUSTOMER
Redrawn	CHKD S.FUSEJIMA	DATE 1994/10/05	SCALE	MODEL TX07
	CHKD	DATE	1/1	ASSY NO
	DWN R.NOAGAMI	DATE 1994/10/05		
ISSUE NO	PLANT	PARTS CODE 6113010702	NAME S/C Assy	DIMENSION mm
ISSUE DATE		OGURA CLUTCH Co.,LTD.	DWG NO 61100002	SHT 2/2