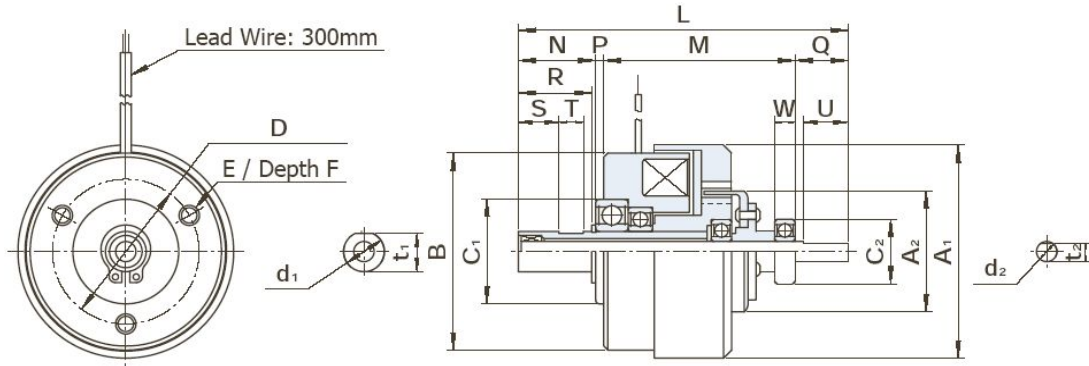


# HC

## EM Hysteresis Clutch

Types: 0.5

[ EM: Electromagnet ]



[ Special Order ]

HB		0.5
Rated Torque [in-lbs / N-m]		0.44 / 0.05
Coil (20°C)	Voltage [DC-V]	24
	Current [A]	0.44
	Resistance [ $\Omega$ ]	55
	Wattage [W]	10.5
	Time Constant [ms]	35
Torque Decay (20%) Time [ms]		17
Max Slip Rate [W]		6
Max Allowable Speed [rpm]		3000
Moment of Inertia (J) [kg-cm <sup>2</sup> ]	Rotor	0.6
	Cup	0.025
Shaft [mm]	d1h7	10
	t1	9.5
	d2g6	5
	t2	4.5
Dimensions [mm]	A1	53
	A2	30
	B	49
	C1	26
	C2	16
	D	36
	E	3xM5
	F	5
	L	81
	M	47
	N	19
	P	2
	Q	13
	R	18
	S	10
T	6	
U	11	
W	5	
Weight [lbs / kg]		1.00 / 0.45

[ 1" = 25.4mm ]