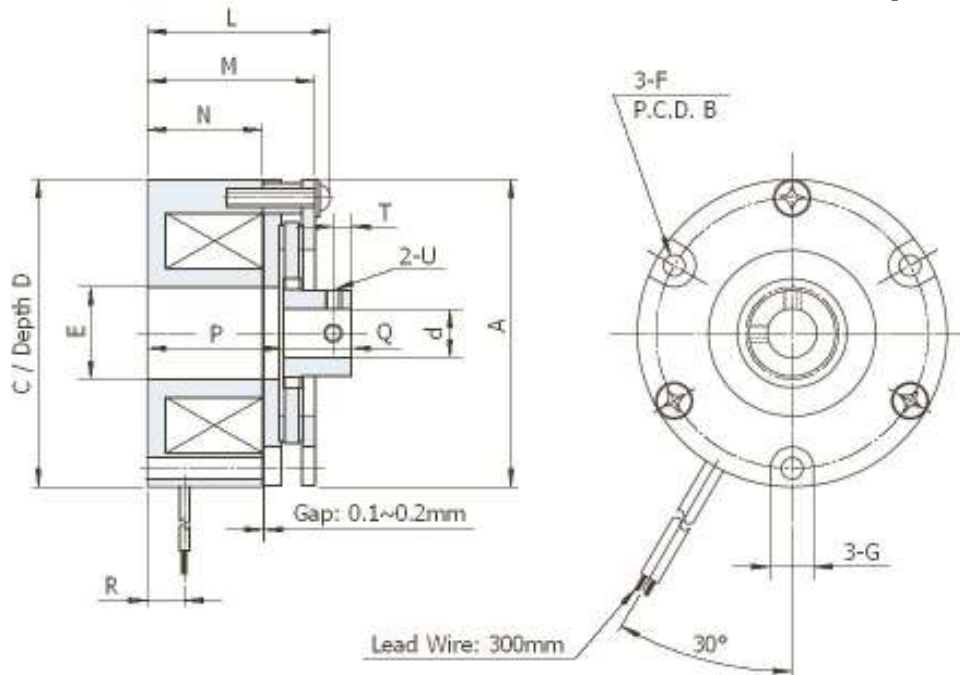


MCNB

Micro EM Spring-Applied Brake

Types: 2, 5, 10

[EM: Electromagnet]



MCNB		2G	2H	5G	5H	10G	10H
Static Torque [in-lbs / N-m]		1.8 / 0.2		4.4 / 0.5		8.9 / 1	
Coil (20°C)	Voltage [DC-V]	24	45	24	45	24	45
	Resistance [Ω]	135	400	89	350	66	270
	Wattage [W]	5		7		9	
Armature	Pull-In Time [ms]	20		25		30	
	Release Time [ms]	5		5		10	
Moment of Inertia (J) [kg-cm ²]		0.01		0.033		0.085	
Max Work Rate [W]		5		10		18	
Total Energy Until Life [J]		2.8 x 10 ⁶		5.3 x 10 ⁶		6.0 x 10 ⁶	
Dimensions [mm]	Bore [mm]	dH8	8	8	10	10	10
	A		40	50	63	63	63
	B		34	44	54	54	54
	Ch9		40	50	63	63	63
	D		3	3	3	3	3
	E		10	15	22	22	22
	F		3.5	3.5	4.5	4.5	4.5
	G		7	7	9	9	9
	L		30	30	31	31	31
	M		27	27	27	27	27
	N		20	18.7	17.8	17.8	17.8
	P		23	22	21	21	21
	Q		10	11	13	13	13
	R		6	6	6	6	6
	T		3	3	4	4	4
U		M3	M3	M4	M4	M4	
Weight [lbs / kg]		0.42 / 0.19		0.62 / 0.28		0.95 / 0.43	



Old Version

[with spline hub]

[1" = 25.4mm]