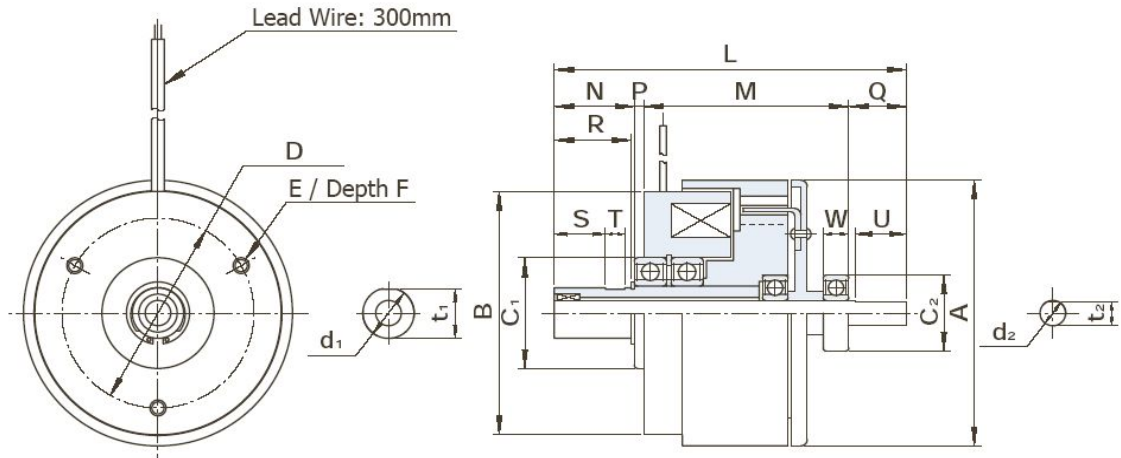


HC

EM Hysteresis Clutch

Types: 1.2, 2.5, 5, 10

[EM: Electromagnet]



HC		1.2 ¹	2.5	5	10
Rated Torque [in-lbs / N-m]		1.1 / 0.12	2.2 / 0.25	4.4 / 0.5	8.9 / 1
Coil (20°C)	Voltage [DC-V]				
	Current [A]	0.46	0.63	0.71	0.86
	Resistance [Ω]	52.4	38	34	28
	Wattage [W]	11	15	17	21
	Time Constant [ms]	55	80	100	175
Torque Decay (20%) Time [ms]		10	10	12	15
Max Slip Rate [W]		27	34	40	59
Max Allowable Speed [rpm]		3000	3000	3000	3000
Moment of Inertia (J) [kg-cm ²]	Rotor	1	3.2	7.25	14.1
	Cup	0.25	0.425	0.8	2.55
Shaft [mm]	d1h7	12	14	16	18
	t1	11.5	13.5	15.5	17.5
	d2h7	6	7	8	10
	t2	5.5	6.5	7.5	9.5
	A	60	70	84	112
Dimensions [mm]	B	56	64.6	77	105
	C1	28	32	35	42
	C2	19	22	24	26
	D	40	50	60	70
	E	3xM5	3xM5	3xM5	3xM5
	F	5	8	8	8
	L	92	100	110	121
	M	55	59	64	68
	N	21	23	25	28
	P	2	2	3	3
	Q	14	16	18	22
	R	20	22	24	26.8
	S	12	14	16	18
	T	6	6	6	6
	U	12	14	16	20
W	6	7	8	8	
Weight [lbs / kg]		1.5 / 0.7	2.2 / 1.0	3.7 / 1.7	8.8 / 4.0

[Note 1 : Model 1.2 has single field bearing]

[1" = 25.4mm]