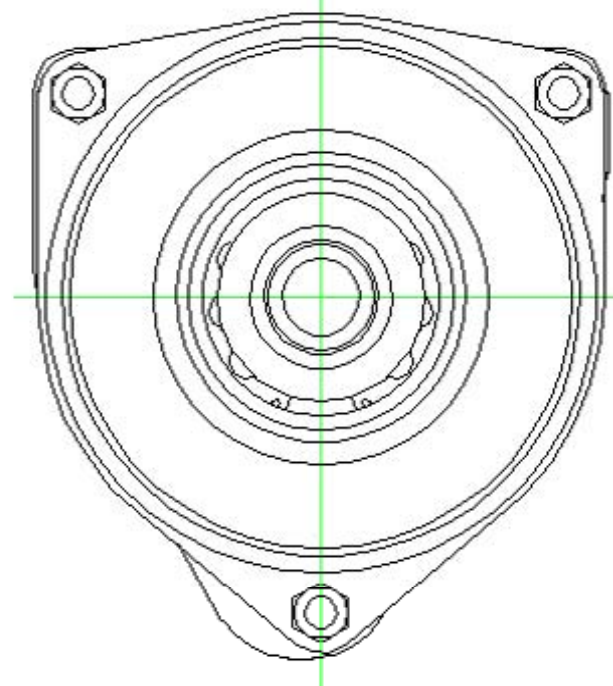


ROTATION
ROTOR INPUT



535436