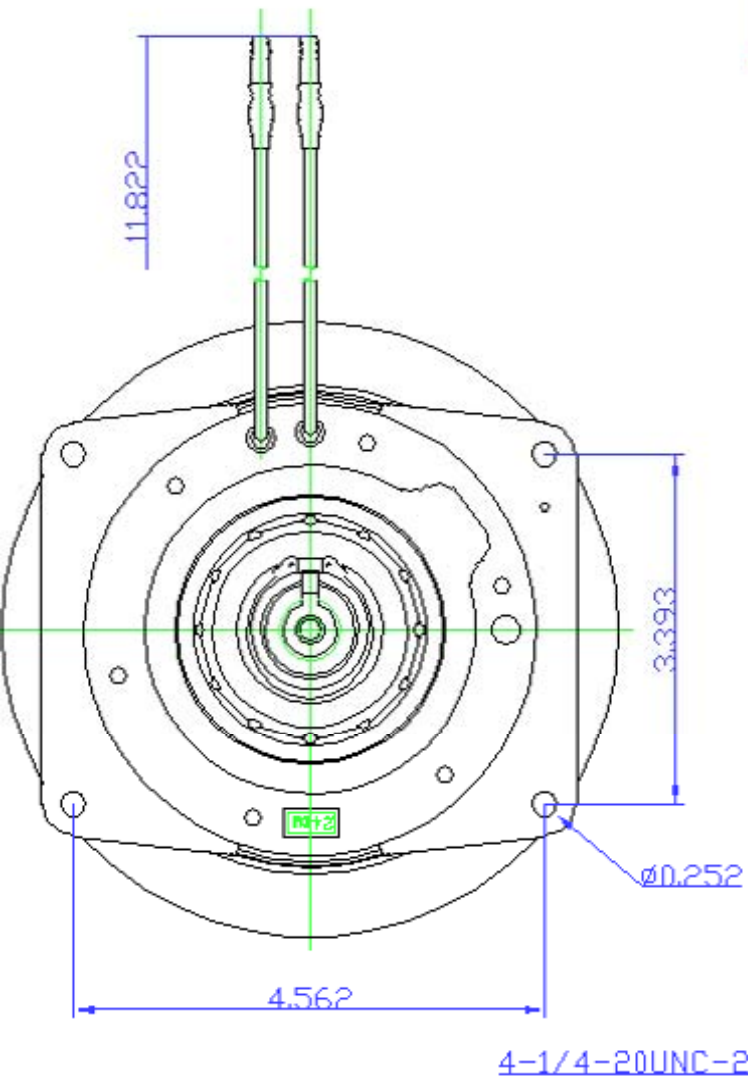


536153



4-1/4-20UNC-2Bx9.2

