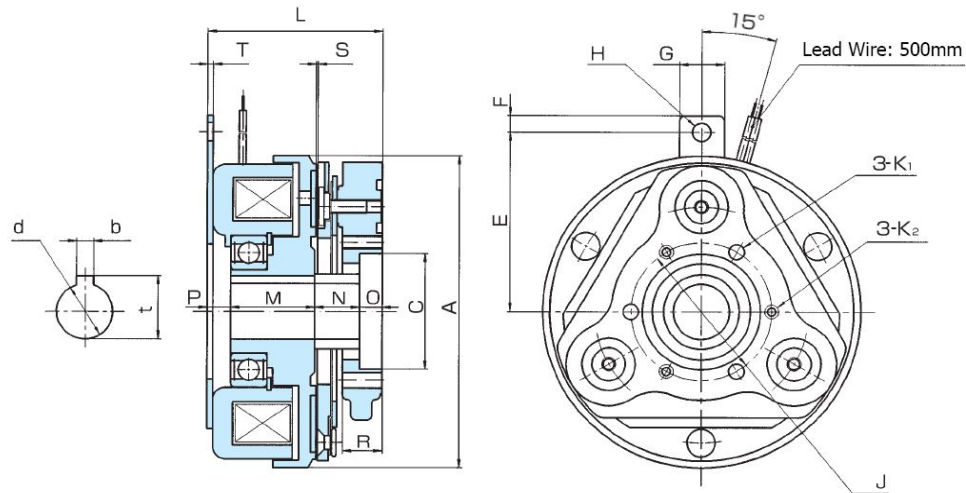


# VCEHA / VCSHA

## Self-Adjusting EM Clutch

Types: 1.2, 2.5, 5

[ EM: Electromagnet ]



VCEHA / VCSHA		[ Special ]		[ Special ]		[ Special ]	
Type		VCEHA	VCSHA <sup>1</sup>	VCEHA	VCSHA <sup>1</sup>	VCEHA	VCSHA <sup>1</sup>
Static Torque [ft-lbs / N-m]		8.9 / 12		18 / 25		37 / 50	
Coil (20°C)	Voltage [DC-V]	24					
	Current [A]	0.69		1.04		1.41	
	Resistance [Ω]	35		23		17	
	Wattage [W]	17		25		33	
Armature	Pull-In Time [ms]	30		40		70	
	Release Time [ms]	40		60		70	
Torque Build-Up Time [ms]		60		80		120	
Max Allowable Speed [rpm]		5500		5000		4000	
Moment of Inertia (J) [kg-cm <sup>2</sup> ]	Rotor	2.6	2.9	8.1	9.1	24.1	27
	Armature	4.5	4.5	11.5	11.5	34.7	34.7
Total Energy Until Life [J]		13 x 10 <sup>7</sup>		25 x 10 <sup>7</sup>		49 x 10 <sup>7</sup>	
Bore [mm]		dH7 15		20		25	
Key Way [mm]	bJs9	5		6		8	
	t	17.3+0.15/-0		22.8+0.15/-0		28.3+0.2/-0	
	A	90		113		142	
Dimensions [mm]	CH7	32		42		52	
	E	56		65		78	
	F	6		6		6	
	G	16		16		16	
	H	5.5		6.5		6.5	
	J	40		50		62	
	K <sub>1</sub>	4.5		5.5		6.6	
	K <sub>2</sub>	M4		M5		M6	
	L	57	58	62.5	63.5	72	73
	M	26.5		30		33.5	
	N	16.5	17.5	16	17	22	23
	O	6		8		10	
	P	8		8.5		6.5	
	R	13.5		14		20	
S	0.4		0.4		0.5		
T	2		2		2		
Recommended Hub Bearing		6002ZZ		6004ZZ		6205ZZ	
Weight [lbs / kg]		3.1 / 1.4		5.7 / 2.6		10 / 4.5	

[ Included parts & accessories : surge protector ]

[ 1 inch = 25.4 mm ]

[ Note 1 : Silent type ]