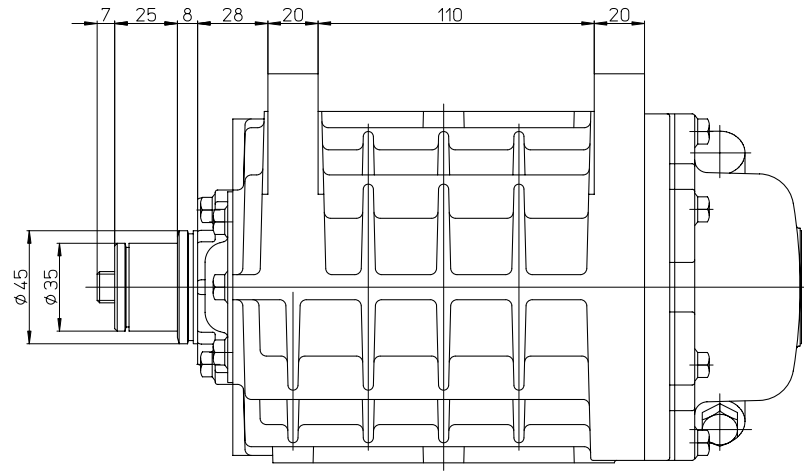
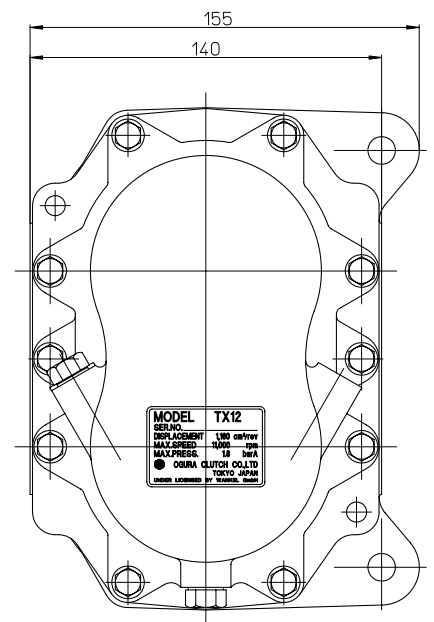
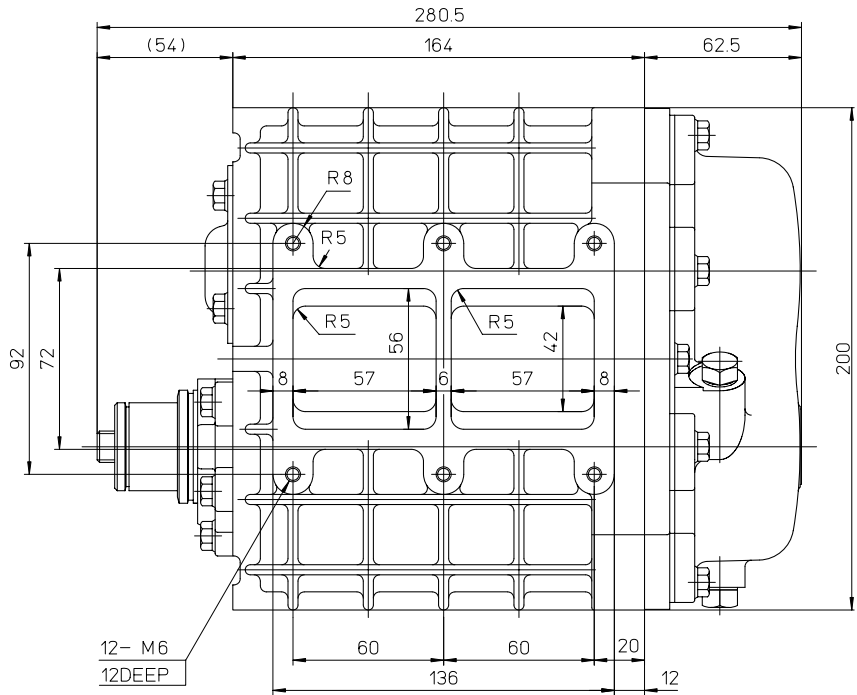
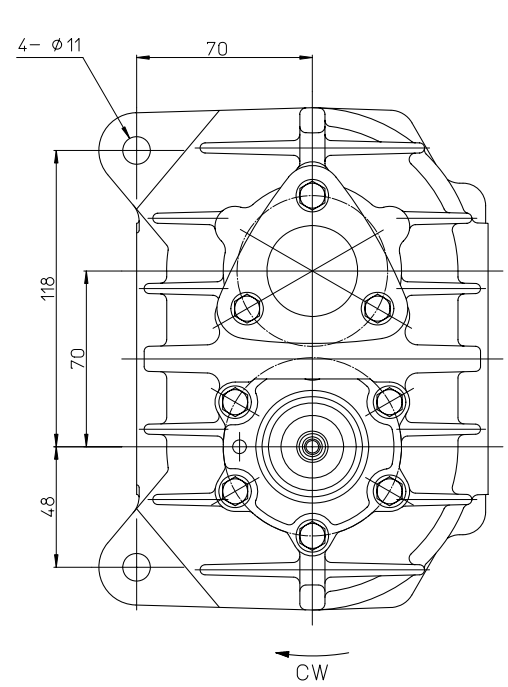


CONFIDENTIAL  
 THE DRAWINGS AND TECHNICAL INFORMATION  
 INCLUDED HEREIN ARE THE PROPERTY OF  
 OGURA INDUSTRIAL CORP AND CAN NOT  
 BE DUPLICATED WITHOUT WRITTEN APPROVAL  
 FROM OIC.

REV	REVISION RECORD	NOTE
1	0-ring and gasket were changed to liquid gasket	Next manufacturing



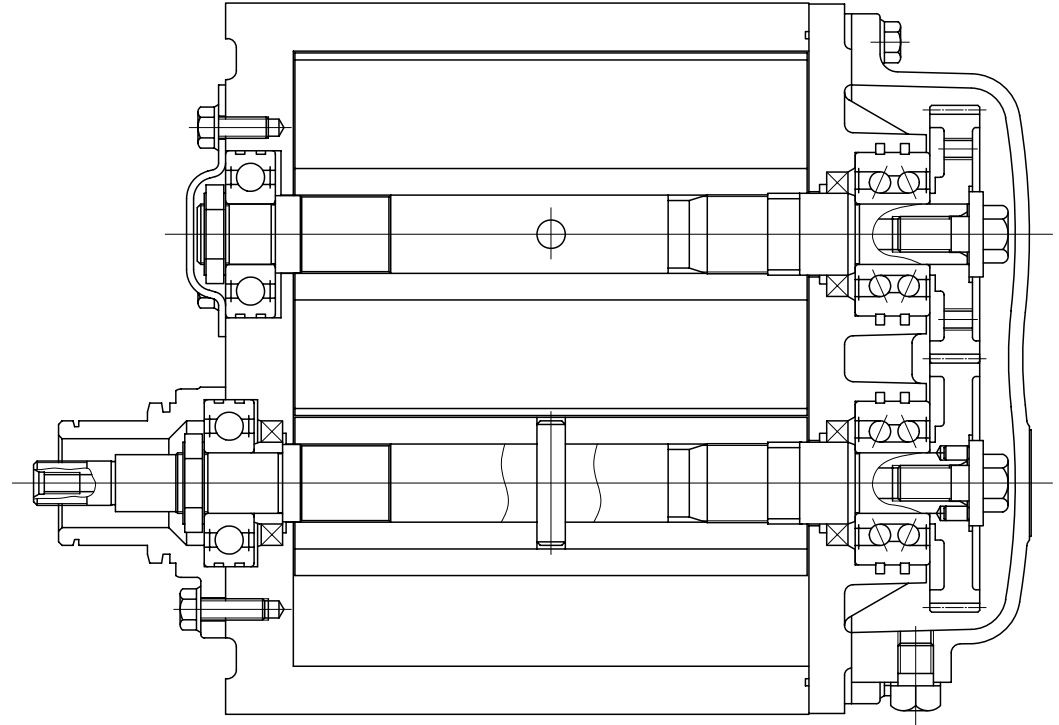
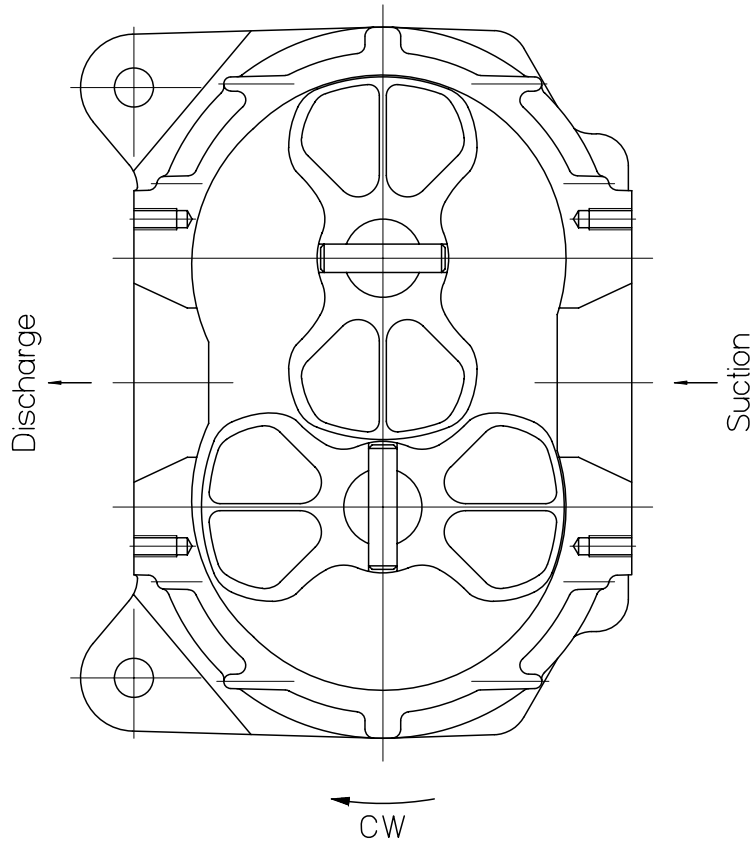
Specifications  
 Displacement 1,160 cm<sup>3</sup>/rev  
 Max. R.P.M. 11,000 rpm  
 Max. Press. Ratio 1.8  
 Weight 8.5 kg  
 Oil Amount 55 cc



HISTORY	DATE	BY	SCALE	CUSTOMER
Redrawn	DATE	DATE	A1	MODEL TX12
DRW S.FUSEJIMA	DATE	DATE	1/1	ASSY NO
DRW R.NOGAMI	DATE	DATE		
ISSUE NO	PLANT	PARTS CODE	NAME	NAME
		6113011202	S/C Assy	OGURA CLUTCH Co.,LTD
ISSUE DATE			DWG NO.	61100004
			SHEET	1/2

REV	REVISION RECORD	NOTE
△	0-ring and gasket were changed to liquid gasket.	Next manufacturing

CONFIDENTIAL  
 THE DRAWINGS AND TECHNICAL INFORMATION  
 INCLUDED HEREIN ARE THE PROPERTY OF  
 OGURA INDUSTRIAL CORP AND CAN NOT  
 BE DUPLICATED WITHOUT WRITTEN APPROVAL  
 FROM OIC.



HISTORY	APPD	DATE	SIZE	CUSTOMER
Redrawn	<i>S. Fusejima</i>	1994/10/03	A2	
	CHKD	DATE	SCALE	MODEL
	S.FUSEJIMA	1994/10/03	1/1	TX12
	DWN	DATE	ASSY NO	
	R.NOGAMI	1994/10/03		
ISSUE NO	PLANT	PARTS CODE	NAME	DIMENSION
		6113011202	S/C Assy	mm
ISSUE DATE	OGURA CLUTCH Co.,LTD.		DWG NO	SIT
			61100004	2/2