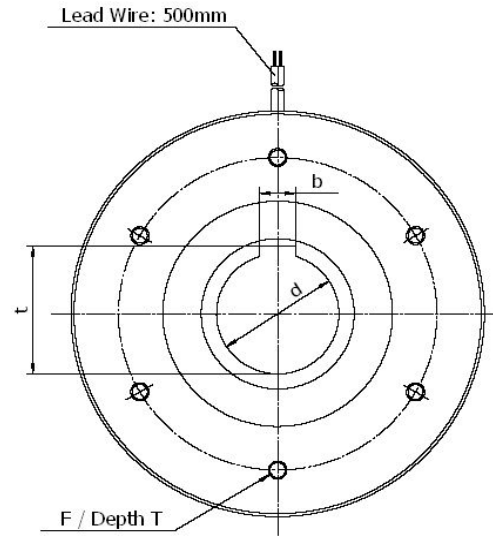
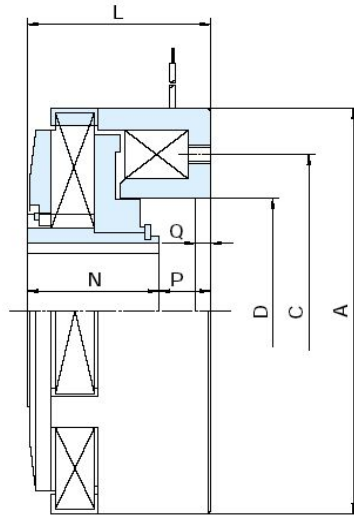


# MDB-N

## Dry-Type Multiple-Disk EM Brake

Types: 1.2, 2.5, 5, 10, 20, 40, 80

[ EM: Electromagnet ]



MDB		1.2N	2.5N	5N	10N	20N	40N	80N
Dynamic Torque [ft-lbs / N-m]		8.9 / 12	18 / 25	37 / 50	74 / 100	148 / 200	295 / 400	590 / 800
Static Torque [ft-lbs / N-m]		13 / 18	26 / 35	52 / 71	103 / 140	207 / 281	413 / 560	826 / 1120
Coil (20°C)	Voltage [DC-V]	24						
	Current [A]	0.62	0.8	1	1.46	1.75	2.5	3.12
	Resistance [Ω]	38.5	30	24	16.5	13.7	9.6	7.7
	Wattage [W]	15	19	24	35	42	60	75
Armature Pull-In Time [ms]		60	80	90	120	170	210	330
Torque Build-Up Time [ms]		105	160	180	200	290	360	520
Torque Decay Time [ms]		60	70	80	110	180	230	240
Max Work Rate [W]		7	11	23	42	65	97	153
Max Allowable Speed [rpm]		1800	1500	1200	1000	800	700	600
Moment of Inertia (J) [kg-cm <sup>2</sup> ]		3	6	14	34	61	249	715
Total Energy Until Life [J]		0.8 x 10 <sup>7</sup>	1.6 x 10 <sup>7</sup>	2.9 x 10 <sup>7</sup>	4.9 x 10 <sup>7</sup>	7.2 x 10 <sup>7</sup>	13.0 x 10 <sup>7</sup>	20.0 x 10 <sup>7</sup>
Max Work Rate [W]		7	11	23	42	65	97	153
Bore [mm]	dH7	20	25	30	40	50	60	70
Key Way [mm]	bE9	6	8	8	12	14	18	20
	t+0.2/-0	21.7	26.7	32	42.5	52.5	63	75
Dimensions [mm]	A	82	97	114	135	157	197	237
	C	62	74	86	104	126	156	190
	DH8	42	50	58	75	92	106	128
	F	4xM5	4xM6	4xM6	6xM6	6xM8	6xM10	6xM12
	L	45	48	55	60	68	76	96
	N	28	30	34	43	50	62	82
	P±0.3	17	18	21	17	18	14	14
	Q	4	4	5	5	6	8	8
T	5	6	6	6	8	10	12	
Weight [lbs / kg]		2.9 / 1.3	3.7 / 1.7	5.7 / 2.6	8.8 / 4.0	14 / 6.4	26 / 12	49 / 22

[ Included parts & accessories : surge protector ]

[ 1" = 25.4mm ]